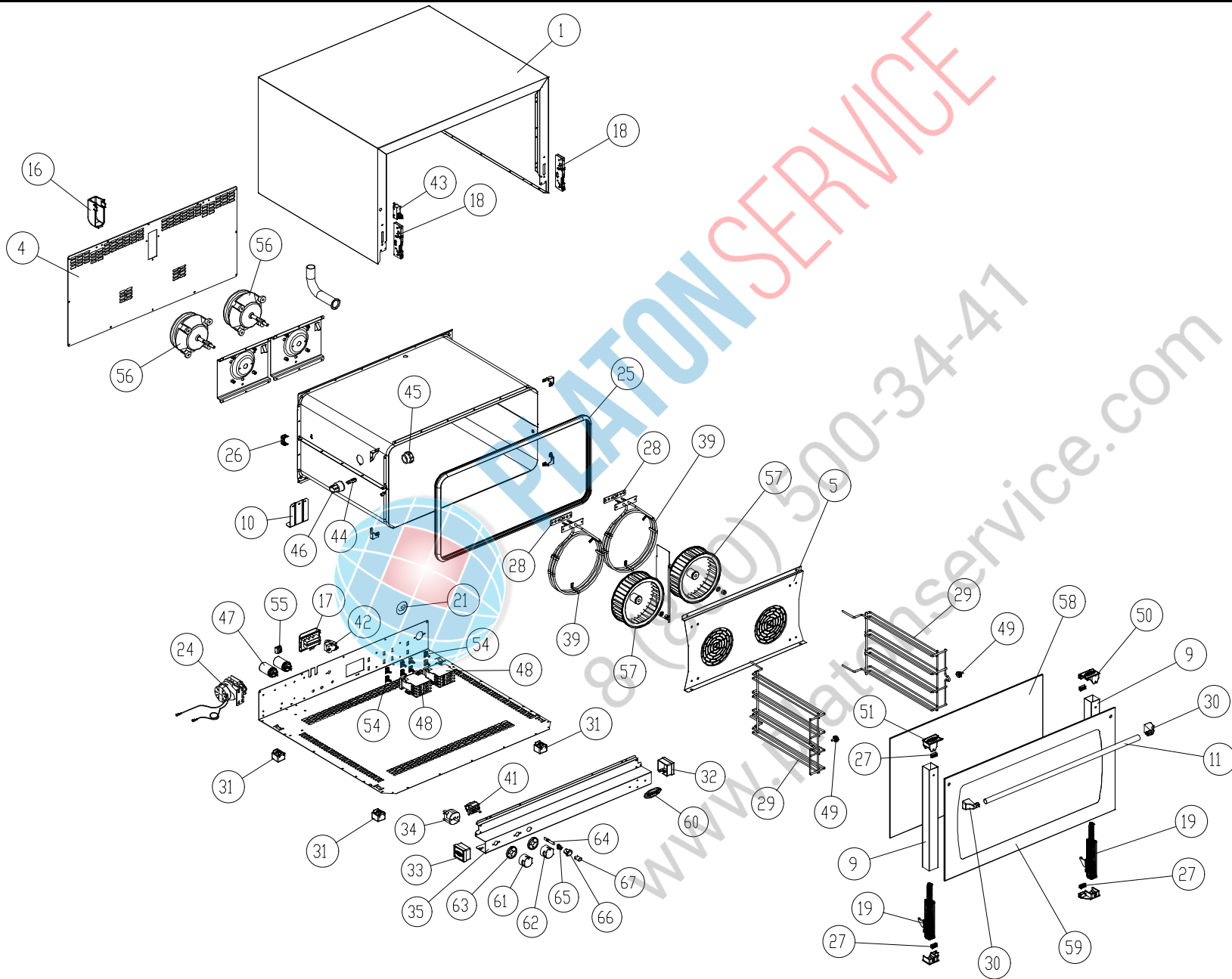


MOD: XF193

EXPLODED VIEW DISEGNO ESPLOSO



LEGEND - LEGENDA

1	OD1285A1	56	VN1000B0
4	OF1095A1	57	VN1025A0
5	OG1125B1	58	VT1070A0
9	OH1425A0	59	VT1071A2
10	OH1455A0	60	ED1070A0
11	OH1930A0	61	MN1090A0
15	OH2015A0	62	MN1091A0
16	VM1065A0	63	MN1095A0
17	CE1130A0	64	VE177
18	CR1000A0	65	VE162
19	CR1025A0	66	VE1170A0
21	VM1130A0	67	VE164
24	VN032		
25	GN1110A2		
26	OH318A		
27	GN1130A0		
29	GRL1025A0		
30	MG1015A0		
31	PD1000A0		
32	VM1115A0		
33	VM1116A0		
34	TM023		
35	OD1425A0		
39	RS1090A1		
41	TR006		
42	TR255B		
43	VE086B		
44	VE1005A1		
45	VE036		
46	VE1015A0		
48	VE1095A0		
49	V11035A1		
50	VM1045A0		
51	VM1046A0		
54	VM1075A0		
55	VM250		

DESCRIZIONE CODICI

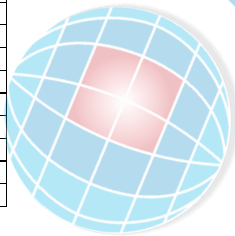
1	OD1285A1	MANTELLO INOX L.M. ROSSELLA
4	OF1095A1	SCHIENA ZINCATA L.M. ROSSELLA
5	OG1125B1	CARTER ARIA INOX L.M. ROSSELLA
9	OH1425A0	COLONNINA SX/DX PORTA L.M. ARIANNA-ROSSELLA
10	OH1455A0	STAFFA SOSTEGNO MUFFOLA L.M.
11	OH1930A0	TUBO MANIGLIA D-est=18 Sp=1 L=718 INOX L.M. 800
15	OH2015A0	PROFILO SOSTEGNO MOTORE XV203G/403G L.M.
16	VM1065A0	CUFFIA COPRI CAMINO FUJMI L.M.
17	CE1130A0	CAVO 5x1,5mmq H07RN-F L=1,5m + MORS. K1/6
18	CR1000A0	ATTACCO CERNIERA PORTA FORNO RIBALTA L.M.
19	CR1025A0	CERNIERA PORTA FORNO RIBALTA L.M. ROSSELLA
21	VM1130A0	TAPPO PVC NERO DEST=38.2 DINT=31.5 PER LAM. SP=1.6
24	VN032	INVERTITORE P19.5J.02.H6.17 -0198
25	GN1110A2	GUARNIZIONE PORTA PROFILO 248 LINEMISS-XCH030
26	OH318A	SOSTEGNO BULBO STANDARD '02
27	GN1130A0	GUARNIZIONE SUPPORTO VETRO L.M. L=23mm
29	GRL1025A0	GRIGLIA LATERALE DX/SX CROMATA 4TG 600x400 L.M. ROSSELLA
30	MG1015A0	TERMINALE MANIGLIA L.M.
31	PD1000A0	PIEDINO QUADRO 35X35 H26 NYLON CARICATO VETRO GRIGIO
32	VM1115A0	TAPPO DX CRUSCOTTO COMANDI IN PLASTICA L.M. MANUAL
33	VM1116A0	TAPPO SX CRUSCOTTO COMANDI IN PLASTICA L.M. MANUAL
34	TM023	TIMER MI2 120 min 2678 A 250V 16A
35	OD1425A0	CRUSCOTTO COMANDI MANUALE INOX L.M. 800
39	RS1090A1	RESISTENZA CIRCOLARE D=230 3 SPIRE H78 2900W 230V
41	TR006	TERMOSTATO 50-295°C 55.19052.861
42	TR255B	TERMOSTATO SIC.+UNIPOL.330°C Ty95H L=1300mm
43	VE086B	MICROINTERRUTTORE PORTA MF09 16A
44	VE1005A1	LAMPADA ALOGENA 40W 230V
45	VE036	VETRO PORTALAMPADA 77.222.-019.00
46	VE1015A0	PORTA LAMPADA PER LAMPADA ALOGENA
48	VE1095A0	TELERUTTORE GE 25A 230V 50/60 Hz CL01A400T6
49	VII035A1	NOTTOLINO M6x12,5 CON TAGLIO OTT.CROM.FERMA GRIGLIE X
50	VM1045A0	TAPPO SUP. DX COLONNINA PORTA VETRO INTERNO LINEMISS
51	VM1046A0	TAPPO SUP. SX COLONNINA PORTA VETRO INTERNO LINEMISS
54	VM1075A0	CLIP DI FISSAGGIO PER TELERUTTORI
55	VM250	MORSETT. A PETTINE

56	VN1000B0	MOTORE COND.5uF 200W ALB.M8 CONN.5 POLI
57	VN1025A0	VENTOLA D=196 H=61 38 PALE DADO M8
58	VT1070A0	VETRO INTERNO 715X414X4 BETFL L.M. ROSSELLA
59	VT1071A2	VETRO ESTERNO SER. GIALLO 798X424X5 TFL L.M. ROSSELLA
60	ED1070A0	ETICHETTA UNOX ELLISSE 78x33 ARGENTO CON BORDO EST.
61	MN1090A0	MANOPOLA SERIGR. TIMER 0-120 MIN NICHELATA SATINATA L.M.
62	MN1091A0	MANOPOLA SERIGR. TERMOMETRO 80-300°C NICHELATA SATI
63	MN1095A0	GHIERA CON INDICE STAMPATO NICHELATA SATINATA L.M. MA
64	VE177	LUCE SPIA FLUORO STD 230V
65	VE162	SUPPORTO LAMPADA INTERNO
66	VE1170A0	SUPPORTO D16 ELLITTICO NICHEL OPACCO
67	VE164	GEMMA VERDE TERMOMETRO ORO

DESCRIPTION

1	OD1285A1	
4	OF1095A1	ZINCED BACK PANEL L.M. ROSSELLA
5	OG1125B1	
9	OH1425A0	
10	OH1455A0	
11	OH1930A0	STAINLESS STEEL HANDLE TUBE D-est=18 Sp=1 L=718 L.M. ELENA-
15	OH2015A0	
16	VM1065A0	
17	CE1130A0	CABLE 5x1,5mmq H07RN-F L=1,5m + TERMINAL BOX K1/6
18	CR1000A0	HINGE LATCH L.M.
19	CR1025A0	
21	VM1130A0	
24	VN032	REVERS.SWITCH MOTOR P19.5J.02.H6.17
25	GN1110A2	
26	OH318A	
27	GN1130A0	INT. GLASS SEAL L.M. L=22mm
29	GRL1025A0	RIGHT/LEFT LAT.GRID CHROMIUM-PLATED 4 TRAYS 600x400 L.M
30	MG1015A0	HANDLE END L.M.
31	PD1000A0	GREY SQUARE FOOT 35x35 H26 NYLON WITH GLASS
32	VM1115A0	
33	VM1116A0	
34	TM023	TIMER MI2 120 min 2678 A 250V 16A
35	OD1425A0	
39	RS1090A1	
41	TR006	
42	TR255B	SAFETY THERMOSTAT+UNIPOL. 330°C.Ty95H L=1300mm
43	VE086B	DOOR MICROSWITCH MF09 16A
44	VE1005A1	HALOGEN LAMP 40W
45	VE036	IN-LIGHT GLASS COVER 77.222.-019.00
46	VE1015A0	LAMP HOLDER FOR HALOGEN LAMP
48	VE1095A0	REMOTE CONTROL SWITCH GE 25A 230V 50/60 Hz CL01A400T6
49	VII035A1	CHROMIUM PLATED BRASS NUT M6x12,5 TO STOP LATERAL SUP
50	VM1045A0	RIGHT UPPER LID FOR COLUMN FOR INTERNAL GLASS LINEMISS
51	VM1046A0	LEFT UPPER LID FOR COLUMN FOR INTERNAL GLASS LINEMISS
54	VM1075A0	CLIP TO FIX CONTACTORS
55	VM250	"COMB" TERMINAL BOARD BM 5251 1 B3-

56	VN1000B0	MOTOR COND.5uF 200W ALB.M8 CONN.5 TERMINALS
57	VN1025A0	FAN D=196 h=61 38 BLADES NUT M8
58	VT1070A0	INTERNAL GLASS 715x414x4 BETFL L.M. ROSSELLA
59	VT1071A2	
60	ED1070A0	UNOX ELLIPTICAL STICKER 78x33-SILVER WITH EXTERNAL FRAME
61	MN1090A0	
62	MN1091A0	
63	MN1095A0	
64	VE177	FLUORINE WARNING LIGHT STD 230V
65	VE162	INTERNAL PILOT LAMP SUPPORT
66	VE1170A0	
67	VE164	GREEN PILOT WITH GOLD THERMOMETER SERIGRAPHY



PLATON 8 (800) 800 800 www.platon.it